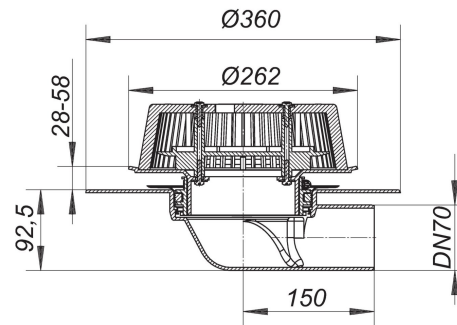


21. November 2019

power overflow drain 86 D FPO-PP, DN 70

Product No. **671387**
EAN: 4001636671387
Discount group: 10



conforming to DIN EN 1253
flat overflow drain for installation into the thermal roof insulation with minimum 120 mm, with extra wide flange for welding FPO-PP membranes directly

specification:
- overflow upstand height adjustable 28 - 58 mm
- domed grate, secured

material:
polypropylene, UV-stabilized