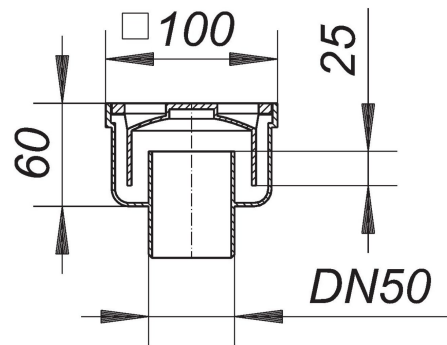


21. November 2019

DALLMER**floor drain type 60, DN 50, 100 x 100 mm**

Product No. **600509**
 EAN: 4001636600509
 Discount group: 3



outlet DN 50 vertical
 with bell trap, 25 mm water seal

material:
 polypropylene
 frame polypropylene, 100 x 100 mm, grate polyamide, incorporating bell trap

No flange for water-proofing membranes.

Flow rate tested to DIN EN 1253 Tab. 3,
 (with 20 mm water over cover plate), conforming to DIN EN 274

	Norm	DALLMER
DN 50	0.4 l/s	0.6 l/s