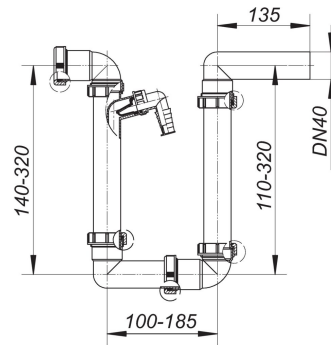


21. November 2019

DALLMER

condensate trap type 136.2, 1 1/2" x DN 40

Product No. **026217**
EAN: 4001636026217
Discount group: 1



conforming to DIN 19541
for the installation of air-conditioners, heating equipment, etc. Suitable for positive and negative pressure up to 2800 Pa (Pascal), transparent inlet tube, in case of water deficiency, may be filled through the hose connector

specification:

- swivel joints for flexible mounting
- hose connector with anti-reflux valve

material:

polypropylene