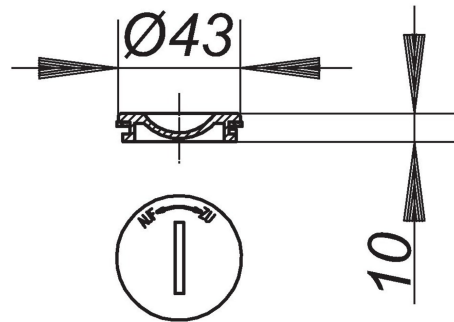


21. May 2022

**DALLMER****screwed plug for 54, 55, 57, 57 AK, 58, 71**

Product No. **590015**  
 EAN: 4001636590015  
 Discount group: 3



spare part, screwed plug for the rodding eye in drain bodies type 54, 55, 57, 58 and utility drains type 57 AK and 71

material  
 polypropylene

Product No.	Description	Dimensions
542052	Floor drain body type 54 DallBit, DN 50/DN 70	DN 50/DN 70
541055	Floor drain body type 54, DN 50/DN 70	DN 50/DN 70
552051	Floor drain body type 55 DallBit, inlet DN 50, DN 50/DN 70	DN 50/DN 70
551054	Floor drain body type 55, inlet DN 50, DN 50/DN 70	DN 50/DN 70
572073	Floor drain body type 57 DallBit, DN 70/DN 100	DN 70/DN 100
571076	Floor drain body type 57, DN 70/DN 100	DN 70/DN 100
582072	Floor drain body type 58 DallBit, inlet DN 50, DN 70/DN 100	DN 70/DN 100
581075	Floor drain body type 58, inlet DN 50, DN 50/DN 100	DN 70/DN 100
590053	trap insert for 57, 57 AK , 58	
710062	utility drain type 71, DN 100	DN 100
710161	utility drain type 71/1, DN 50 side inlet, DN 100	DN 100
710369	utility drain type 71/3, DN 70 side inlet, DN 100	DN 100