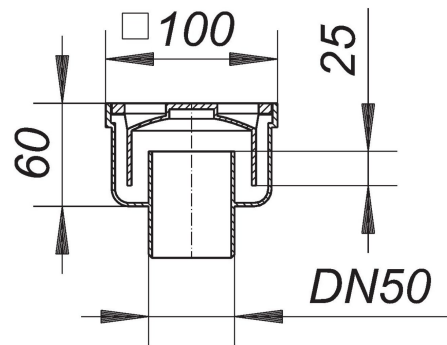


21. May 2022

**DALLMER****floor drain type 60, DN 50, 100 x 100 mm**

Product No. **600509**  
 EAN: 4001636600509  
 Discount group: 3



outlet DN 50 vertical  
 with bell trap, 25 mm water seal

material:  
 polypropylene  
 frame polypropylene, 100 x 100 mm, grate polyamide, incorporating bell trap

No flange for water-proofing membranes.

Flow rate tested to DIN EN 1253 Tab. 3,  
 (with 20 mm water over cover plate), conforming to DIN EN 274

	Norm	DALLMER
DN 50	0.4 l/s	0.6 l/s