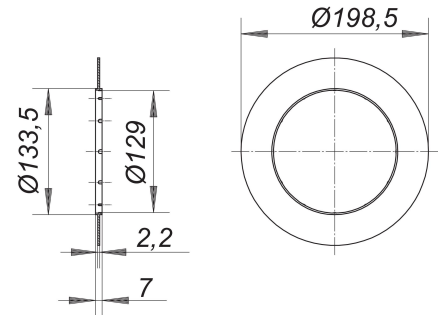
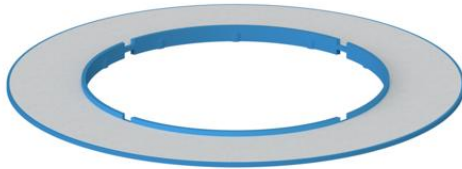


Upper collar CeraDrain/TistoDrain S 15

Part number: 693099
GTIN: 4001636693099
Rebate group: 5



Description:

Upper collar CeraDrain/TistoDrain S 15
Spare part for collar CeraDrain S 15.