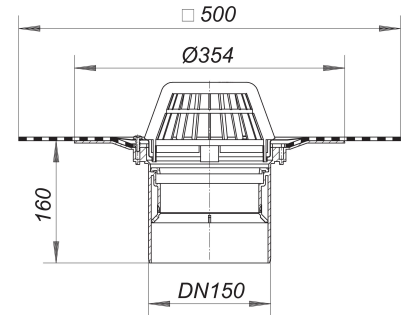
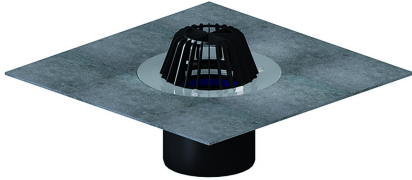


roof drain type 62 DallBit, DN 150

Part number: 622099
 GTIN: 4001636622099
 Rebate group: 10



Description:

roof drain type 62 DallBit, DN 150

conforming to DIN EN 1253

with factory-fitted collar of 5.0 mm modified bitumen membrane, 500 x 500 mm, welded to the flange and clamped with a stainless steel clamp ring

specification:

- insulated drain body
- outlet vertical
- domed grate
- temporary blanking plate

material:

polypropylene, UV-stabilized

Flow rates tested to DIN EN 1253:

Nominal diameter	Outlet direction	Min. flow rate according to norm	Water level according to norm	Flow rate at water level 5 mm	Flow rate at water level 15 mm	Flow rate at water level 25 mm	Flow rate at water level 35 mm	Flow rate at water level 45 mm	Flow rate at water level 55 mm	Flow rate at water level 65 mm	Flow rate at water level 75 mm
DN 150	8.10 l/s	45.00 mm	0.90 l/s	3.70 l/s	6.50 l/s	9.30 l/s	12.80 l/s	16.50 l/s	21.50 l/s		
DN 150	8.10 l/s	45.00 mm	0.80 l/s	3.20 l/s	5.80 l/s	8.10 l/s	9.20 l/s	10.20 l/s	11.00 l/s		