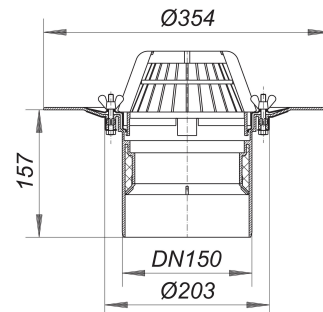


roof drain type 62 clamp ring, DN 150

Part number: 621092
 GTIN: 4001636621092
 Rebate group: 10



Description:

roof drain type 62 clamp ring, DN 150
 conforming to DIN EN 1253
 with stainless steel clamp ring to secure all single-ply membranes

specification:

- insulated drain body
- outlet vertical
- domed grate

material:

polypropylene, UV-stabilized

Flow rates tested to DIN EN 1253:

Nominal diameter	Outlet di- rection	Min. flow rate ac- cording to norm	Water le- vel accor- ding to norm	Flow rate at water level 5 mm	Flow rate at water level 15 mm	Flow rate at water level 25 mm	Flow rate at water level 35 mm	Flow rate at water level 45 mm	Flow rate at water level 55 mm	Flow rate at water level 65 mm	Flow rate at water level 75
DN 150	8.10 l/s	45.00 mm	0.90 l/s	3.70 l/s	6.50 l/s	9.30 l/s	12.80 l/s	16.50 l/s	21.50 l/s		
DN 150	8.10 l/s	45.00 mm	0.80 l/s	3.20 l/s	5.80 l/s	8.10 l/s	9.20 l/s	10.20 l/s	11.00 l/s		