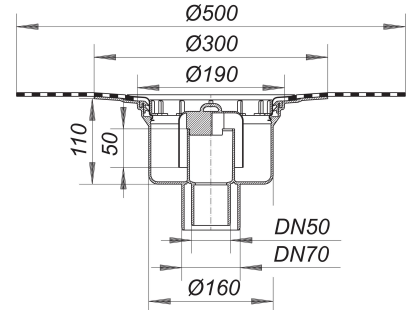


## Floor drain body type 61 HT DallBit, DN 50/DN 70

Part number: 612052  
 GTIN: 4001636612052  
 Rebate group: 3



### Description:

Floor drain body type 61 HT DallBit, DN 50/DN 70  
 conforming to DIN EN 1253

With d: 500 mm collar of 5.0 mm thick bituminous membrane, welded to the flange and secured with stainless steel clamp ring.  
 outlet vertical spigot, for connection to plastic pipework

specification

- removable trap insert, 50 mm water seal (conforming to DIN EN 1253)
- temporary blanking plate

material

polypropylene

The outlet connector can be supplied in ABS to suit British Standard sizes and PE-HD conforming to DIN EN 1519. Please enquire.

For sizes up to DN 70, fire protection system 1 may be used (Part No. 515018), DN 100 with fire protection system 2 (Part No. 515025).

DN 70 connects to BS4514 75 mm pipework with 880345 adaptor

### Flow rates tested to DIN EN 1253:

Nominal diameter	Min. flow rate according to norm	Water level according to norm
DN 70	0.80 l/s	20.00 mm
DN 50	0.80 l/s	20.00 mm

### Spare parts:

590077 bell trap for drain body 61