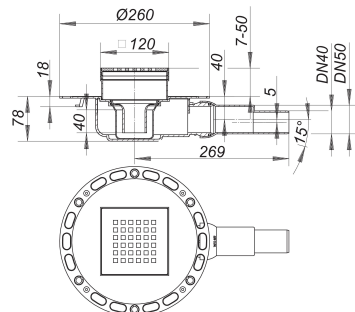


floor drain TistoPlan Quadra 12, DN 40/DN 50, 100 x 100 mm

Part number: 514318

GTIN: 4001636514318

Rebate group: 5



Description:

floor drain TistoPlan Quadra 12, DN 40/DN 50, 100 x 100 mm
 conforming to DIN EN 1253 (approval)
 outlet DN 40/DN 50 horizontal, with ball-joint, adjustable 0 – 15 degrees

specification

- flange with fleece surface
- Tisto-membrane
- removable trap insert, 40 mm water seal (deviating to DIN EN 1253)
- temporary blanking plate
- height adjustable grating

material

polypropylene
 grate 304 stainless steel, load class K 3 (300 kg)
 with design grate Quadra, 304 stainless steel, frame 304 stainless steel, 120 x 120 mm

Spare parts:

482013 trap insert for TistoPlan