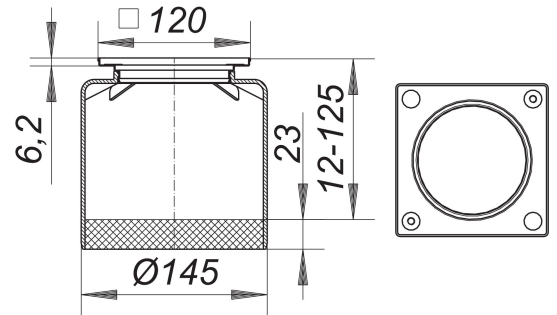


## frame S 15/120

Part number: 500601  
GTIN: 4001636500601  
Rebate group: 3



### Description:

frame S 15/120  
used with floor drains type 54, 55, 57, 58, 61 and 61/1  
frame 304 stainless steel, 120 x 120 mm, with threaded inserts,  
spigo polypropylene