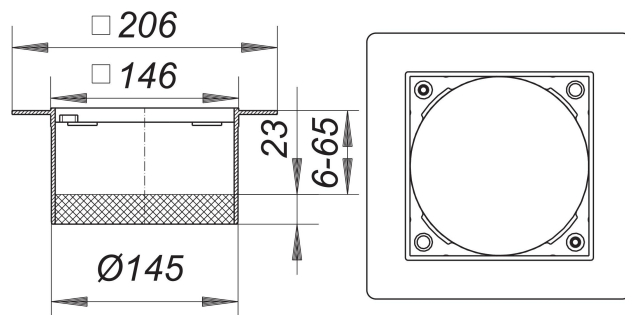


## frame PVC 15, 150 x 150 mm

Part number: 500571  
GTIN: 4001636500571  
Rebate group: 3



### Description:

frame PVC 15, 150 x 150 mm  
used with floor drains type 54, 55, 57, 58, 61 and 61/1  
with flange for securing flexible flooring,  
frame PVC-U, 150 x 150 mm, with threaded inserts,  
spigot PVC-U

Seal must be used.