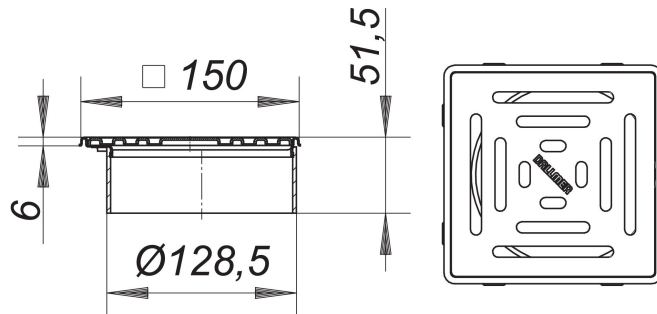


Grating VC 15, 150 x 150 mm

Part number: 500359
GTIN: 4001636500359
Rebate group: 5



Description:

Grating VC 15, 150 x 150 mm
for CeraDrain S 15 and TistoDrain S 15,
height adjustable up to 40 mm with +/- 13 mm lateral adjustment, spigot ABS, frame 304 stainless steel, 150 x 150 mm, grate 304 stainless steel, load class K 3 (300 kg)

Spare parts:

501110 grate E 140, 140 x 140 mm