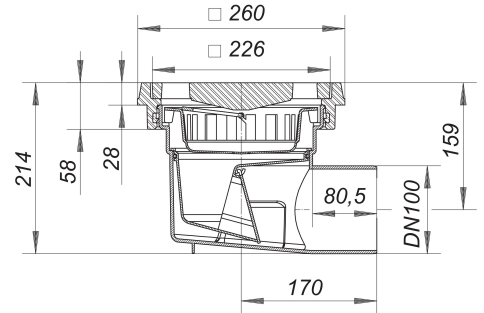


yard drain type 605.1, DN 100

Part number: 860361
 GTIN: 4001636860361
 Rebate group: 3



Description:

yard drain type 605.1, DN 100
 outlet DN 100 horizontal

specification

- frost-proof self-closing flap-valve
- removable bucket

material

polypropylene

ductile iron grate and frame, secured, load class B (up to 12,5 t)

Flow rates tested to DIN EN 1253:

Nominal diameter	Product standard	Min. flow rate according to norm	Water level according to norm
DN 100	DIN EN 1253	4.50 l/s	35.00 mm

Spare parts:

860996 ductile iron grate for 605/606/615/616